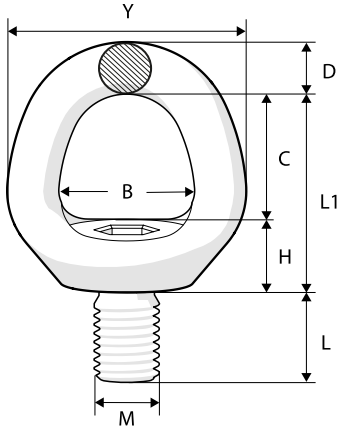


MAPALAR ve EYE BOLT'lar

REL P Fırdöndü Kaldırma Mapası



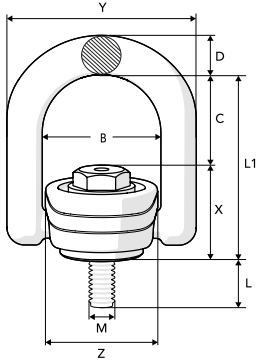
Art.No.	Model	Ölçüler (mm)								Ağırlık (kg)
		B	C	D	H	L	L1	M	Y	
2903 38 08	REL P-M8 x 1.25	28	28	11	14	15	42	8	50	0.2
2903 38 10	REL P-M10 x 1.5	28	28	11	14	15	42	10	50	0.2
2903 38 12	REL P-M12 x 1.75	32	33	13	13	20	47	12	58	0.3
2903 38 16	REL P-M16 x 2	39	41	15	16	24	57	16	70	0.5
2903 38 20	REL P-M20 x 2.5	42	43	16	18	30	60	20	78	0.7
2903 38 24	REL P-M24 x 3	50	51	19	20	36	71	24	88	1.1
2903 38 30	REL P-M30 x 3.5	60	62	26	28	45	90	30	112	2.4
2903 38 36	REL P-M36 x 4	72	72	32	32	54	104	36	136	4.1
2903 38 42	REL P-M42 x 4.5	82	82	38	37	63	119	42	158	6.7
2903 38 48	REL P-M48 x 5	94	96	43	39	72	135	48	180	9.9

Dar alan ✓
 Limitli yükseklik ✓
 Dikey kaldırma ✓
 Tek noktadan kaldırma ✓

REL P Çalışma Yük Limitleri

Simetrik yük (t)	1		2		2 simetrik		3-4 simetrik		Tork anahtarı	Allen anahtarı
	1	1	2	2	0 - 45°	45 - 60°	0 - 45°	45 - 60°		
Açı β	0° *	90°	0°	90°	0 - 45°	45 - 60°	0 - 45°	45 - 60°		
REL P-M8 x 1.25	0.7	0.3	1.4	0.6	0.4	0.3	0.6	0.4	10 Nm	8 mm
REL P 5/16"-18 UNC	0.7	0.3	1.4	0.6	0.4	0.3	0.6	0.4	7 Ft.Lbs	5/16"
REL P-M10 x 1.5	1.2	0.5	2.4	1.0	0.7	0.5	1.0	0.7	15 Nm	8 mm
REL P 3/8"-16 UNC	1.2	0.5	2.4	1.0	0.7	0.5	1.0	0.7	11 Ft.Lbs	5/16"
REL P-M12 x 1.75	2.0	0.8	4.0	1.6	1.1	0.8	1.6	1.2	27 Nm	8 mm
REL P 1/2"-13 UNC	2.0	0.8	4.0	1.6	1.1	0.8	1.6	1.2	20 Ft.Lbs	5/16"
REL P-M16 x 2	3.5	1.5	7.0	3.0	2.1	1.5	3.1	2.2	60 Nm	8 mm
REL P 5/8"-11 UNC	3.5	1.5	7.0	3.0	2.1	1.5	3.1	2.2	44 Ft.Lbs	5/16"
REL P-M20 x 2.5	6.1	2.4	12.2	4.8	3.3	2.4	5.0	3.6	90 Nm	8 mm
REL P 3/4"-10 UNC	5.0	2.3	10.0	4.6	3.1	2.3	4.8	3.4	66 Ft.Lbs	5/16"
REL P 7/8"-9 UNC	6.1	2.4	12.2	4.8	3.3	2.4	5.0	3.6	66 Ft.Lbs	5/16"
REL P-M24 x 3	8.1	3.3	16.2	6.6	4.6	3.3	6.9	4.9	135 Nm	19 mm
REL P 1"-8 UNC	8.1	3.3	16.2	6.6	4.6	3.3	6.9	4.9	100 Ft.Lbs	3/4"
REL P-M30 x 3.5	12.1	4.6	24.2	9.2	6.4	4.6	9.6	6.9	270 Nm	19 mm
REL P 1 1/4"-7 UNC	12.1	4.6	24.2	9.2	6.4	4.6	9.6	6.9	200 Ft.Lbs	3/4"
REL P-M36 x 4	16.1	7.1	32.2	14.2	9.9	7.1	14.9	10.6	320 Nm	19 mm
REL P 1 1/2"-6 UNC	16.1	7.1	32.2	14.2	9.9	7.1	14.9	10.6	236 Ft.Lbs	3/4"
REL P-M42 x 4.5	24	9.1	48	18.2	12.7	9.1	19.1	13.6	600 Nm	19 mm
REL P 1 3/4"-5 UNC	24	9.1	48	18.2	12.7	9.1	19.1	13.6	440 Ft.Lbs	3/4"
REL P-M48 x 5	32	12.1	64	24.2	16.9	12.1	25.4	18.1	800 Nm	19 mm
REL P 2"-4.5 UNC	32	12.1	64	24.2	16.9	12.1	25.4	18.1	590 Ft.Lbs	3/4"

RLP Firdöndü Kaldırma Mapası



Limitli yükseklik ✓

Tek noktadan kaldırma ✓

Dikey kaldırma ✓

Çok noktadan kaldırma ✓

Açılı kaldırma ✓

Entegre uygulama (kanca veya halka) ✓

Yük altında eğim ✓

Art.No.	Model	Ölçüler (mm)									Ağırlık (kg)
		B	C	D	L	L1	M	Y	Z	X	
2903 17 08	RLP-M8	42	35	12	16	62	8	64	Ø40	27	0.3
2903 17 10	RLP-M10	42	35	12	16	62	10	64	Ø40	27	0.3
2903 17 12	RLP-M12	57	46	19	25	88	12	91	Ø54	42	3.0
2903 17 16	RLP-M16	57	46	19	25	88	16	91	Ø54	42	3.0
2903 17 20	RLP-M20	83	55	28	36	110	20	133	Ø80	55	2.9
2903 17 24	RLP-M24	83	55	28	36	110	24	133	Ø80	55	2.9
2903 17 30	RLP-M30	114	69.5	34	49.5	144	30	182	Ø114	56	7.0
2903 17 36	RLP-M36	114	65.5	34	61	144	36	182	Ø114	56	7.3
2903 17 42	RLP-M42	149	90	40.4	65.5	185	42	229	Ø149	70	14.0
2903 17 48	RLP-M48	149	86	40.4	75.5	185	48	229	Ø149	70	14.5

RLP mapayı demonte etmek için D-halkayı ileri doğru katlayıp aşağı doğru basınız.



RLP Ekstra Uzun Cıvata Ölçüleri **

Cıvata	Uzunluk L (mm)	Ağırlık (kg)
M8 x 1.25	101	0.06
M10 x 1.5	101	0.08
M12 x 1.75	80	0.14
M16 x 2	80	0.20
M20 x 2.5	86	0.46
M24 x 3	86	0.50
M30 x 3.5	300	2.40
M36 x 4	300	3.00
M42 x 4.5	301	5.00
M48 x 5	301	6.00
UNC 5/16"-18	101	0.06
UNC 3/8"-16	101	0.07
UNC 1/2"-13	80	0.16
UNC 5/8"-11	80	0.20
UNC 3/4"-10	86	0.44
UNC 7/8"-9	86	0.50
UNC 1"-8	86	0.60
UNC 1 1/4"-7	300	2.50
UNC 1 1/2"-6	300	3.30
UNC 1 3/4"-5	301	5.40
UNC 2"-4.5	301	6.40

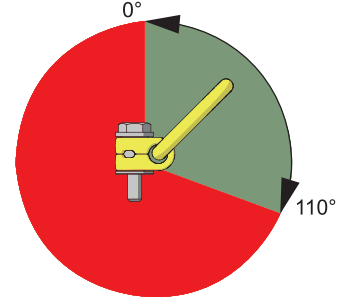
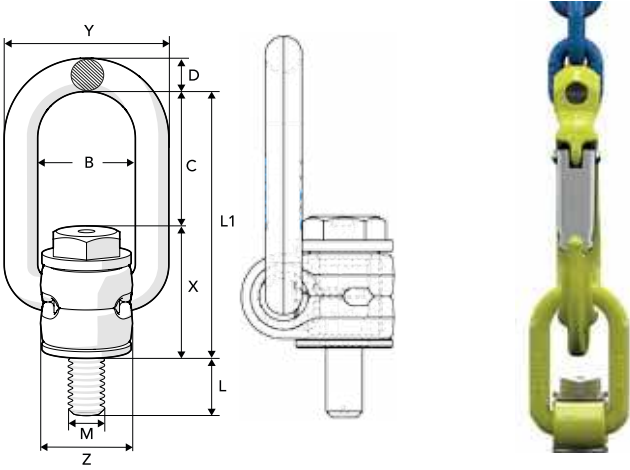
** Ekstra uzun cıvata kullanıldığında, min. dayanımı 10.9, ISO 898-1 olan somun / conta kullanınız.

RLP Çalışma Yük Limitleri

Simetrik yük (t)	Sapan Bacak Sayısı				2 simetrik		3-4 simetrik		Tork anahtarı	Allen anahtarı
	1	1	2	2	0 - 45°	45 - 60°	0 - 45°	45 - 60°		
	0° *	90°	0°	90°	0 - 45°	45 - 60°	0 - 45°	45 - 60°		
RLP - M8 x 1.25	0.8	0.4	1.6	0.8	0.5	0.4	0.8	0.6	10 Nm	13 mm
RLP 5/16"-18 UNC	0.8	0.4	1.6	0.8	0.5	0.4	0.8	0.6	7 Ft.Lbs	1/2"
RLP - M10 x 1.5	1.2	0.7	2.4	1.4	0.9	0.7	1.4	1.0	15 Nm	13 mm
RLP 3/8"-16 UNC	1.2	0.65	2.4	1.3	0.9	0.6	1.3	0.9	11 Ft.Lbs	1/2"
RLP - M12 x 1.75	2.0	1.2	4.0	2.4	1.6	1.2	2.5	1.8	27 Nm	24 mm
RLP 1/2"-13 UNC	2.0	1.2	4.0	2.4	1.6	1.2	2.5	1.8	20 Ft.Lbs	15/16"
RLP - M16 x 2	3.2	2.0	6.4	4.0	2.8	2.0	4.2	3.0	60 Nm	24 mm
RLP 5/8"-11 UNC	3.2	2.0	6.4	4.0	2.8	2.0	4.2	3.0	44 Ft.Lbs	15/16"
RLP - M20 x 2.5	5.6	2.8	11.2	5.6	3.9	2.8	5.8	4.2	90 Nm	32 mm
RLP 3/4"-10 UNC	5.0	2.5	10.0	5.0	3.5	2.5	5.2	3.7	66 Ft.Lbs	1 5/16"
RLP 7/8"-9 UNC	5.6	2.8	11.2	5.6	3.9	2.8	5.8	4.2	66 Ft.Lbs	1 5/16"
RLP - M24 x 3	9.2	4.6	18.4	9.2	6.4	4.6	9.6	6.9	135 Nm	32 mm
RLP 1"-8 UNC	9.2	4.6	18.4	9.2	6.4	4.6	9.6	6.9	100 Ft.Lbs	1 5/16"
RLP - M30 x 3.5	12.0	6.0	24.0	12.0	8.4	6.0	12.6	9.0	270 Nm	55 mm
RLP 1 1/4"-7 UNC	12.0	6.0	24.0	12.0	8.4	6.0	12.6	9.0	200 Ft.Lbs	2 1/4"
RLP - M36 x 4	14.0	8.0	28.0	16.0	11.2	8.0	16.8	12.0	320 Nm	55 mm
RLP 1 1/2"-6 UNC	14.0	8.0	28.0	16.0	11.2	8.0	16.8	12.0	236 Ft.Lbs	2 1/4"
RLP - M42 x 4.5	16.0	14.0	32.0	28.0	19.6	14.0	29.4	21.0	600 Nm	75 mm
RLP 1 3/4"-5 UNC	16.0	14.0	32.0	28.0	19.6	14.0	29.4	21.0	440 Ft.Lbs	3"
RLP - M48 x 5	20.0	16.0	40.0	32.0	22.4	16.0	33.6	24.0	800 Nm	75 mm
RLP 2"-4.5 UNC	20.0	16.0	40.0	32.0	22.4	16.0	33.6	24.0	590 Ft.Lbs	3"

ARTTIRILMIŞ KAPASİTE

DLP Fırdöndü Kaldırma Mapası



DLP sadece 0-110° aralığında çalışabilir.

Art.No.	Model	Ölçüler (mm)									Ağırlık (kg)
		B	C	D	L	L1	M	X	Y	Z	
2903 55 08	DLP-M8 x 1.25	35	48	10	13	78	8	30	55	26	0.3
2903 55 10	DLP-M10 x 1.5	35	48	10	13	78	10	30	55	26	0.3
2903 55 12	DLP-M12 x 1.75	35	48	12	23	91	12	44	59	32	0.5
2903 55 16	DLP-M16 x 2	35	48	12	23	91	16	44	59	32	0.5
2903 55 20	DLP-M20 x 2.5	54	88	18	34	145	20	58	90	48	1.6
2903 55 24	DLP-M24 x 3	54	88	18	34	145	24	58	90	48	1.7
2903 55 30	DLP-M30 x 3.5	82	93	26	53	181	30	88	122	75	5.0
2903 55 36	DLP-M36 x 4	82	93	26	53	181	36	88	122	75	5.2
2903 55 42	DLP-M42 x 4.5	100	106	36	63	223	42	117	156	95	11.6
2903 55 48	DLP-M48 x 5	100	106	36	63	223	48	117	156	95	11.9

Dar alan
Açılı kaldırma
Yük altında eğim
Çok noktadan kaldırma



DLP Çalışma Yük Limitleri

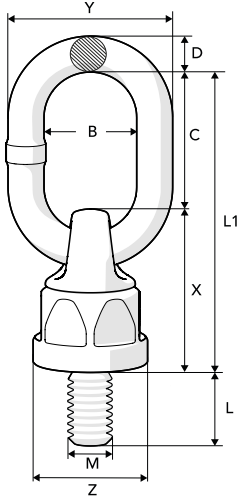
Simetrik yük (t)	1		2		2 simetrik		3-4 simetrik		Tork anahtarı	Allen anahtarı
	0° < β < 90°	0° < β < 90°	0 - 45°	45 - 60°	0 - 45°	45 - 60°	0 - 45°	45 - 60°		
DLP -M8 x 1.25	0.35	0.70	0.5	0.35	0.7	0.5	10 Nm	13 mm		
DLP -5/16"-18 UNC	0.35	0.70	0.5	0.35	0.7	0.5	7 Ft.Lbs	1/2"		
DLP -M10 x 1.5	0.65	1.30	0.9	0.65	1.4	1.0	15 Nm	13 mm		
DLP -3/8"-16 UNC	0.60	1.20	0.8	0.60	1.3	1.0	11 Ft.Lbs	1/2"		
DLP -M12 x 1.75	1.0	2.0	1.4	1.0	2.1	1.5	27 Nm	24 mm		
DLP -1/2"-13 UNC	1.0	2.0	1.4	1.0	2.1	1.5	20 Ft.Lbs	15/16"		
DLP -M16 x 2	1.8	3.6	2.5	1.8	3.7	2.7	60 Nm	24 mm		
DLP -5/8"-11 UNC	1.6	3.2	2.2	1.6	3.3	2.4	44 Ft.Lbs	15/16"		
DLP -M20 x 2.5	2.6	5.2	3.5	2.6	5.4	3.9	90 Nm	32 mm		
DLP -3/4"-10 UNC	2.2	4.4	3.0	2.2	4.6	3.3	66 Ft.Lbs	1 5/16"		
DLP -7/8"-9 UNC	2.6	5.2	3.5	2.6	5.4	3.9	66 Ft.Lbs	1 5/16"		
DLP -M24 x 3	4.1	8.2	5.7	4.1	8.6	6.1	135 Nm	32 mm		
DLP -1"-8 UNC	4.1	8.2	5.7	4.1	8.6	6.1	100 Ft.Lbs	1 5/16"		
DLP -M30 x 3.5	5.0	10.0	7.0	5.0	10.5	7.5	270 Nm	55 mm		
DLP -1 1/4"-7 UNC	5.0	10.0	7.0	5.0	10.5	7.5	200 Ft.Lbs	2 1/4"		
DLP -M36 x 4	7.0	14.0	9.8	7.0	14.7	10.5	320 Nm	55 mm		
DLP -1 1/2"-6 UNC	7.0	14.0	9.8	7.0	14.7	10.5	236 Ft.Lbs	2 1/4"		
DLP -M42 x 4.5	15.0	30.0	21.0	15.0	31.5	22.5	600 Nm	75 mm		
DLP -1 3/4"-5 UNC	15.0	30.0	21.0	15.0	31.5	22.5	440 Ft.Lbs	3"		
DLP -M48 x 5	20.0	40.0	28.0	20.0	42.0	30.0	800 Nm	75 mm		
DLP -2"-4.5 UNC	20.0	40.0	28.0	20.0	42.0	30.0	590 Ft.Lbs	3"		

DLP Ekstra Uzun Civata Ölçüleri **

Civata	Uzunluk L (mm)	Ağırlık (kg)
M8 x 1.25	98	0.06
M10 x 1.5	98	0.08
M12 x 1.75	78	0.14
M16 x 2	78	0.20
M20 x 2.5	84	0.46
M24 x 3	84	0.50
M30 x 3.5	295	2.40
M36 x 4	295	3.00
M42 x 4.5	283	5.00
M48 x 5	283	6.00
UNC 5/16"-18	98	0.06
UNC 3/8"-16	98	0.07
UNC 1/2"-13	78	0.16
UNC 5/8"-11	78	0.20
UNC 3/4"-10	84	0.44
UNC 7/8"-9	84	0.50
UNC 1"-8	84	0.60
UNC 1 1/4"-7	295	2.50
UNC 1 1/2"-6	295	3.30
UNC 1 3/4"-5	283	5.40
UNC 2"-4.5	283	6.40

** Ekstra uzun civata kullanıldığında, min. dayanımı 10.9, ISO 898-1 olan somun / conta kullanınız.

BLP Rulmanlı Fırdöndü Kaldırma Mapası



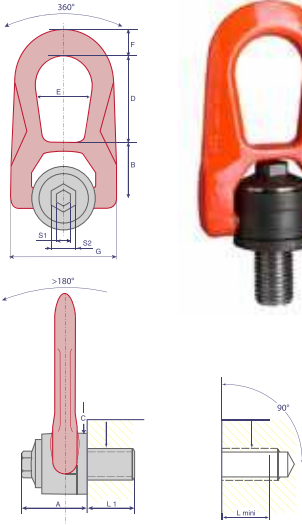
Art.No.	Model	Ölçüler (mm)										Ağırlık (kg)
		B	C	D	L	L1	M	X	Y	Z		
2903 39 08	BLP-M8 x 1.25	35	55	13	16	112	8	57	61	Ø42	0.6	
2903 39 10	BLP-M10 x 1.5	35	55	13	20	112	10	57	61	Ø42	0.6	
2903 39 12	BLP-M12 x 1.75	35	55	13	24	112	12	57	61	Ø42	0.6	
2903 39 16	BLP-M16 x 2	35	55	13	30	112	16	57	61	Ø42	0.6	
2903 39 20	BLP-M20 x 2.5	34	57	17	30	148	20	75	67	Ø59	1.3	
2903 39 24	BLP-M24 x 3	45	80	17	36	171	24	75	80	Ø59	1.5	
2903 39 30	BLP-M30 x 3.5	50	96	22	45	199	30	103	95	Ø74	3.4	
2903 39 36	BLP-M36 x 4	50	96	22	54	199	36	103	95	Ø74	3.5	
2903 39 42	BLP-M42 x 4.5	70	120	28	63	242	42	122	127	Ø93	6.5	
2903 39 48	BLP-M48 x 5	70	120	28	72	242	48	122	127	Ø93	6.8	

Dar alan ✓
 Dikey kaldırma ✓
 Açılı kaldırma ✓
 Yük altında eğim ✓
 Yük altında dikey dönme hareketi ✓
 Tek noktadan kaldırma ✓
 Çok noktadan kaldırma ✓
 Hassas yük yüzeyi ✓

BLP Çalışma Yük Limitleri

Simetrik yük (t)	1		2		2		2 simetrik		3-4 simetrik		Tork anahtarı	Allen anahtarı
	0°	90°	0°	0-45°	90°	0-45°	45-60°	0-45°	45-60°			
BLP -M8 x 1.25	0.6	0.3	1.2	0.4	0.6	0.4	0.3	0.6	0.45	10 Nm	36 mm	
BLP -5/16"-18 UNC	0.6	0.3	1.2	0.4	0.6	0.4	0.3	0.6	0.45	7 Ft.Lbs	1 1/2"	
BLP -M10 x 1.5	1.2	0.6	2.4	0.8	1.2	0.8	0.6	1.3	0.90	15 Nm	36 mm	
BLP -3/8"-16 UNC	1.0	0.5	2.0	0.7	1.0	0.7	0.5	1.1	0.75	11 Ft.Lbs	1 1/2"	
BLP -M12 x 1.75	1.5	0.75	3.0	1.1	1.5	1.1	0.75	1.5	1.1	27 Nm	36 mm	
BLP -1/2"-13 UNC	1.5	0.75	3.0	1.1	1.5	1.0	0.75	1.5	1.1	20 Ft.Lbs	1 1/2"	
BLP -M16 x 2	3.0	1.5	6.0	2.1	3.0	2.1	1.5	3.1	2.2	60 Nm	36 mm	
BLP -5/8"-11 UNC	3.0	1.5	6.0	2.1	3.0	2.1	1.5	3.1	2.2	44 Ft.Lbs	1 1/2"	
BLP -M20 x 2.5	5.0	2.5	10.0	3.5	5.0	3.5	2.5	5.2	3.7	90 Nm	50mm	
BLP -3/4"-10 UNC	4.5	2.25	9.0	3.1	4.5	3.1	2.25	4.7	3.3	66 Ft.Lbs	2"	
BLP -7/8"-9 UNC	6.0	3.0	12.0	4.2	6.0	4.2	3.0	6.3	4.5	66 Ft.Lbs	2"	
BLP -M24 x 3	7.0	4.0	14.0	5.6	8.0	5.6	4.0	8.4	6.0	135 Nm	50mm	
BLP -1"-8 UNC	7.0	4.0	14.0	5.6	8.0	5.6	4.0	8.4	6.0	100 Ft.Lbs	2"	
BLP -M30 x 3.5	12.0	6.0	24.0	8.4	12.0	8.4	6.0	12.6	9.0	270 Nm	65 mm	
BLP -1 1/4" -7 UNC	12.0	6.0	24.0	8.4	12.0	8.4	6.0	12.6	9.0	200 Ft.Lbs	2 5/8"	
BLP -M36 x 4	14.0	8.0	28.0	11.2	16.0	11.2	8.0	16.8	12.0	320 Nm	65 mm	
BLP -1 1/2" -6 UNC	14.0	8.0	28.0	11.2	16.0	11.2	8.0	16.8	12.0	236 Ft.Lbs	2 5/8"	
BLP -M42 x 4.5	16.0	10.0	32.0	14.0	20.0	14.0	10.0	21.0	15.0	600 Nm	85 mm	
BLP -1 3/4" -5 UNC	16.0	10.0	32.0	14.0	20.0	14.0	10.0	21.0	15.0	440 Ft.Lbs	3 1/8"	
BLP -M48 x 5	18.0	13.0	36.0	18.2	26.0	18.2	13.0	27.3	19.5	800 Nm	85 mm	
BLP -2"-4.5 UNC	18.0	13.0	36.0	18.2	26.0	18.2	13.0	27.3	19.5	590 Ft.Lbs	3 1/8"	

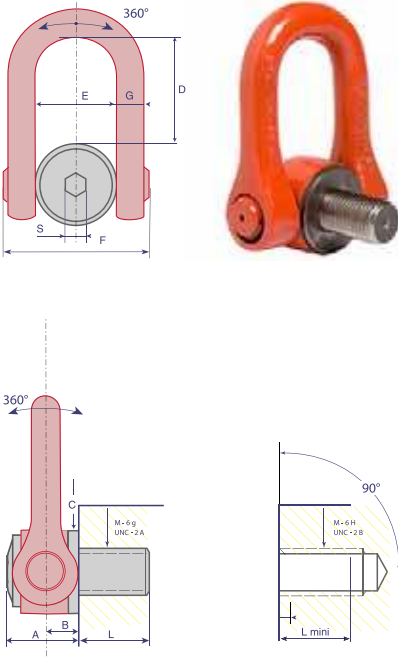
DSR Fırdöndü Mapa - Grade 100



Art.No.	Ölçü	Kapasite (t)	Kapasite (t)							
			0° Tek Bacak	90° Tek Bacak	0° İki Bacak	90° İki Bacak	0-45° İki Bacak	45-60° İki Bacak	0-45° 3-4 Bacak	45-60° 3-4 Bacak
2950 00 04	M4	0.05	0.050	0.050	0.100	0.100	0.100	0.050	0.105	0.050
2950 00 05	M5	0.075	0.075	0.075	0.150	0.150	0.150	0.075	0.158	0.075
2950 00 06	M6	0.1	0.100	0.100	0.100	0.100	0.100	0.100	0.210	0.100
2950 00 08	M8	0.3	0.3	0.3	0.6	0.6	0.6	0.3	0.6	0.3
2950 00 10	M10	0.6	0.6	0.6	1.2	1.2	1.2	0.6	1.3	0.6
2950 00 12	M12	1	1	1	2	2	2	1	2.1	1
2950 00 14	M14	1.3	1.3	1.3	2.6	2.6	2.6	1.3	2.7	1.3
2950 00 16	M16	1.6	1.6	1.6	3.2	3.2	3.2	1.6	3.4	1.6
2950 00 18	M18	2	2	2	4	4	4	2	4.2	2
2950 00 20	M20	2.5	2.5	2.5	5	5	5	2.5	5.3	2.5
2950 00 22	M22	3	3	3	6	6	6	3	6.3	3
2950 00 24	M24	4	4	4	8	8	8	4	8.4	4
2950 00 27	M27	5	5	5	10	10	10	5	10.5	5
2950 00 30	M30	6.3	6.3	6.3	12.6	12.6	12.6	6.3	13.2	6.3

Emniyet kat sayısı : 5:1

DSS Fırdöndü Mapa - Grade 100



Art.No.	Ölçü	Kapasite (t)	Kapasite (t)							
			0° Tek Bacak	90° Tek Bacak	0° İki Bacak	90° İki Bacak	0-45° İki Bacak	45-60° İki Bacak	0-45° 3-4 Bacak	45-60° 3-4 Bacak
2950 10 24	M24	4.5	4.5	4.5	9	9	9	4.5	9.5	4.5
2950 10 30	M30	7.3	7.3	7.3	14.6	14.6	14.6	7.3	15.3	7.3
2950 10 33	M33	8	8	8	16	16	16	8	16.8	8
2950 10 36	M36	10	10	10	20	20	20	10	21	10
2950 10 37	M36x3	10	10	10	20	20	20	10	21	10
2950 10 39	M39	10	10	10	20	20	20	10	21	10
2950 10 42	M42	12.5	12.5	12.5	25	25	25	12.5	26.3	12.5
2950 10 43	M42x3	12.5	12.5	12.5	25	25	25	12.5	26.3	12.5
2950 10 45	M45	15	15	15	30	30	30	15	31.5	15
2950 10 48	M48	20	20	20	40	40	40	20	42	20
2950 10 49	M48x3	20	20	20	40	40	40	20	42	20
2950 10 50	M48x4	20	20	20	40	40	40	20	42	20
2950 10 52	M52	20	20	20	40	40	40	20	42	20
2950 10 56	M56	25	25	25	50	50	50	25	52.5	25
2950 10 57	M56x4	25	25	25	50	50	50	25	52.5	25
2950 10 64	M64	32.1	32.1	32.1	64.1	64.1	64.1	32.1	67.4	32.1
2950 10 65	M64x4	32.1	32.1	32.1	64.1	64.1	64.1	32.1	67.4	32.1
2950 10 72	M72	25	25	25	50	50	50	25	52.5	25
2950 10 73	M72x4	25	25	25	50	50	50	25	52.5	25
2950 10 80	M80	32.1	32.1	32.1	64.1	64.1	64.1	32.1	67.4	32.1
2950 10 90	M90	32.1	32.1	32.1	64.1	64.1	64.1	32.1	67.4	32.1
2950 11 00	M100	32.1	32.1	32.1	64.1	64.1	64.1	32.1	67.4	32.1

Emniyet kat sayısı : 5:1

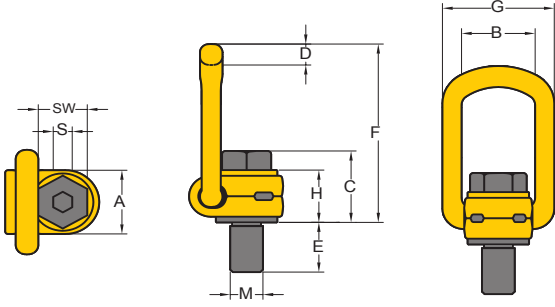
Diğer Mapa Seçenekleri

	STANDART	MERKEZLEMELİ	DİŞLİ MAPA	KAYNAKLI	PASLANMAZ	PASLANMAZ DİŞLİ MAPA	YÜKSEKTE ÇALIŞMA SİSTEMİ
SEB							
DSR							
DSS							

	STANDART	MERKEZLEMELİ
TSR		
DSH		

**UZUN
ÇİVATALI
SEÇENEKLERİ
MEVCUTTUR.**

NET 8-211 Fırdöndü Mapa - Grade 80

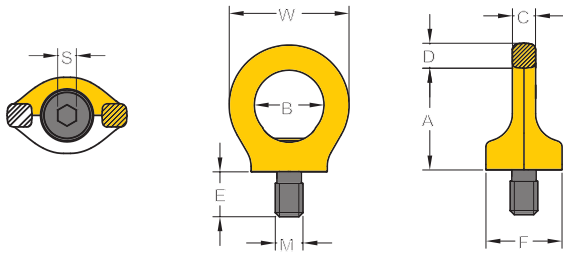


Art.No.	Ölçü	Kapasite (t)	Ölçüler (mm)										Tork	
			A	B	C	D	E	F	G	H	S	SW	(Nm)	(kg)
2991 01 08	M8	0.30	30	35	35	10	11	85	55	29	6	13	30	0.2
2991 01 10	M10	0.63	30	35	36	10	16	85	55	29	6	17	60	0.3
2991 01 12	M12	1	33	37	44	14	18	98	57	36	8	19	100	0.5
2991 01 14	M14	1.2	33	37	45	14	21	98	57	36	10	22	120	0.5
2991 01 16	M16	1.5	33	37	46	14	24	98	57	36	10	24	150	0.5
2991 01 18	M18	2	50	54	57	17	26	140	82	44	12	30	200	1.3
2991 01 20	M20	2.5	50	54	57	17	30	140	82	44	12	30	250	1.3
2991 01 24	M24	4	50	54	59	17	36	140	82	44	14	36	400	1.4
2991 01 27	M27	4	60	65	79	23	38	170	99	62	17	1	400	2.8
2991 01 30	M30	5	60	65	81	23	48	170	99	62	17	46	500	3.1
2991 01 36	M36	7	60	65	88	23	54	178	99	65	22	55	700	3.3
2991 01 37	M36	8	77	85	101	27	62	225	124	78	22	55	800	5.8
2991 01 42	M42	10	77	85	104	27	72	225	124	78	24	65	1000	6.3
2991 01 43	M42	15	95	104	112	36	63	256	158	86	24	65	1500	10.8
2991 01 48	M48	20	95	104	120	36	72	259	158	90	27	75	2000	11.6

Emniyet kat sayısı : 4:1

Kapasite (t)										
0° Tek Bacak	0° İki Bacak	90° Tek Bacak	90° İki Bacak	0-45° İki Bacak	45-60° İki Bacak	Asimm	0-45° 3-4 Bacak	45-60° 3-4 Bacak	Asimm	
0.3	0.6	0.3	0.6	0.42	0.3	0.3	0.63	0.45	0.3	
0.63	1.26	0.63	1.26	0.88	0.63	0.63	1.32	0.95	0.63	
1	2	1	2	1.4	1	1	2.1	1.5	1	
1.2	2.4	1.2	2.4	1.7	1.2	1.2	2.5	1.8	1.2	
1.5	3	1.5	3	2.1	1.5	1.5	3.1	2.2	1.5	
2	4	2	4	2.8	2	2	4.2	3	2	
2.5	5	2.5	5	3.5	2.5	2.5	5.2	3.7	2.5	
4	8	4	8	5.6	4	4	8.4	6	4	
4	8	4	8	5.6	4	4	8.4	6	4	
5	10	5	10	7	5	5	10.5	7.5	5	
7	14	7	14	9.8	7	7	14.7	10.5	7	
8	16	8	16	11.2	8	8	16.8	12	8	
10	20	10	20	14	10	10	21	15	10	
15	30	15	30	21	15	15	31.5	22.5	15	
20	40	20	40	28	20	20	42	30	20	

NET 8-291K Fırdöndü Mapa - Grade 80



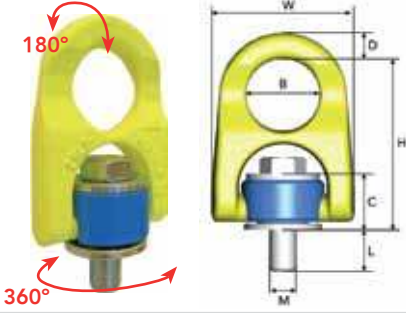
**UZUN
CİVATALI
SEÇENEKLERİ
MEVCUTTUR.**

Art.No.	Ölçü	Kapasite (t)	Ölçüler (mm)									(kg)
			A	B	C	D	E	F	S	W		
2991 00 08	M8	0.3 (1)	36	25	8	11	12	25	6	44	0.1	
2991 00 10	M10	0.4 (1)	36	25	8	11	15	25	6	44	0.1	
2991 00 12	M12	0.75 (2)	42	30	10	13	18	33	8	52	0.2	
2991 00 16	M16	1.5 (4)	51	35	14	13	24	35	10	61	0.3	
2991 00 20	M20	2.3 (6)	57	40	16	17	30	44	12	70	0.6	
2991 00 24	M24	3.2 (8)	70	48	19	21	36	52	14	84	1.0	
2991 00 30	M30	4.5 (12)	86	60	24	26	45	62	17	108	1.8	
2991 00 36	M36	7.0 (16)	103	72	29	32	54	78	22	130	3.2	
2991 00 42	M42	9.0 (24)	120	82	34	38	63	88	24	150	5.0	
2991 00 48	M48	12.0 (32)	137	94	38	43	72	104	27	168	7.6	

Emniyet kat sayısı : 4:1

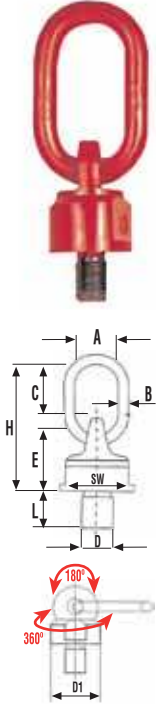
Kapasite (t)										
0° Tek Bacak	0° İki Bacak	90° Tek Bacak	90° İki Bacak	0-45° İki Bacak	45-60° İki Bacak	Asimm	0-45° 3-4 Bacak	45-60° 3-4 Bacak	Asimm	
1	2	0.3	0.6	0.42	0.3	0.3	0.63	0.45	0.3	
1	2	0.4	0.8	0.56	0.4	0.4	0.8	0.6	0.4	
2	4	0.75	1.5	1	0.75	0.75	1.5	1.1	0.75	
4	8	1.5	3	2.1	1.5	1.5	3.1	2.2	1.5	
6	12	2.3	4.6	3.2	2.3	2.3	4.8	3.4	2.3	
8	16	3.2	6.4	4.5	3.2	3.2	6.7	4.8	3.2	
12	24	4.5	9	6.3	4.5	4.5	9.4	6.7	4.5	
16	32	7	14	9.8	7	7	14.7	10.5	7	
24	48	9	18	12.6	9	9	18.9	13.5	9	
32	64	12	24	16.8	12	12	25	18	12	

ERLP Fırdöndü Mapa



Art.No.	Model	Ölçüler (mm)							Ağırlık (kg)
		L	M	B	D	C	H	W	
2903 32 08	ERLP-M8-10	15	M8	Ø 27	10	20	63	52	0.2
2903 32 10	ERLP-M10-10	20	M10	Ø 27	10	20	63	52	0.2
2903 32 12	ERLP-M12-10	19	M12	Ø 38	15	31	91.8	73	0.8
2903 32 16	ERLP-M16-10	24	M16	Ø 38	15	31	91.8	73	0.8

NET0950 Fırdöndü Mapa - Grade 80



Art.No.	Ölçü	Kapasite (t)	Ölçüler (mm)									Ağırlık (kg)	Kapasite (t)								
			A	B	C	E	H	SW	D1	0° Tek Bacak	0° İki Bacak		90° Tek Bacak	90° İki Bacak	0-45° İki Bacak	45-60° İki Bacak	Asimm 3-4 Bacak	0-45° 3-4 Bacak	45-60° 3-4 Bacak		
3950 00 30	M10x18	0.3	30	13	46	50	105	30	38	0.480	0.6	1.2	0.3	0.6	0.42	0.3	0.3	0.63	0.45	0.3	
3950 00 50	M12x18	0.5	30	13	46	50	105	30	38	0.500	1	2	0.5	1	0.75	0.5	0.5	1.1	0.75	0.5	
3950 00 52	M12x25	0.5	30	13	46	50	105	30	38	0.500	1	2	0.5	1	0.75	0.5	0.5	1.1	0.75	0.5	
3950 01 25	M16x20	1.12	30	13	46	50	105	30	38	0.530	2	4	1.12	2	1.5	1.12	1.12	2.36	1.6	1.12	
3950 01 26	M16x30	1.12	30	13	46	50	105	30	38	0.530	2	4	1.12	2	1.5	1.12	1.12	2.36	1.6	1.12	
3950 01 50	M20x30	1.12	30	13	46	50	105	30	38	0.530	2	4	1.12	2	1.5	1.12	1.12	2.36	1.6	1.12	
3950 02 00	M20x30	2	34	16	57	61	131	40	50	1.050	4	8	2	4	2.8	2	2	4	3	2	
3950 03 00	M24x30	3.15	40	19	70	68	153	48	58	1.630	6.3	12.5	3.15	6.3	4.25	3.15	3.15	6.3	4.75	3.15	
3950 05 00	M30x35	5.3	40	20	65	80	165	65	75	2.230	10.6	21.2	5.3	10.6	7.1	5.3	5.3	11.2	8	5.3	
3950 05 02	M30x45	5.3	40	20	65	80	165	65	75	2.230	10.6	21.2	5.3	10.6	7.1	5.3	5.3	11.2	8	5.3	
3950 08 00	M30x35	8	50	22	90	95	205	75	85	5.300	12.5	25	8	12.5	11.2	8	8	16.8	12	8	
3950 08 01	M30x45	8	50	22	90	95	205	75	85	5.300	12.5	25	8	12.5	11.2	8	8	16.8	12	8	
3950 08 02	M36x54	8	50	22	90	95	205	75	85	5.500	12.5	25	8	12.5	11.2	8	8	16.8	12	8	
3950 10 42	M42x63	10	50	22	90	95	205	75	85	10.000	15	30	10	15	14	10	10	21.2	15	10	
3950 15 01	M48x60	15	70	30	120	130	280	95	120	10.000	25	50	15	25	21	15	15	31.5	22.5	15	
3950 15 56	M56x78	15	70	30	120	130	280	95	120	10.000	25	50	15	25	21	15	15	31.5	2.5	15	
3950 15 64	M64x96	15	70	30	120	130	280	95	120	10.000	25	50	15	25	21	15	15	31.5	22.5	15	
3950 15 72	M72x108	25	68	40	127	165	338	134	160	29.000	35	70	25	35	35	25	25	52.5	37.5	25	
3950 15 80	M80x120	30	68	40	127	165	338	134	170	29.000	35	70	30	35	42	30	30	63	45	30	
3950 15 90	M90x135	35	68	40	127	165	338	134	170	29.000	35	70	35	35	49	35	35	73.5	52.5	35	

Emniyet kat sayısı : 4:1

EN1677 standardına göre tasarlanmış, test edilmiş ve belgelendirilmiştir.

Kaynaklı Bağlantı Noktası Grade 8

Net0951 Yaysız / Net0951K Yaylı



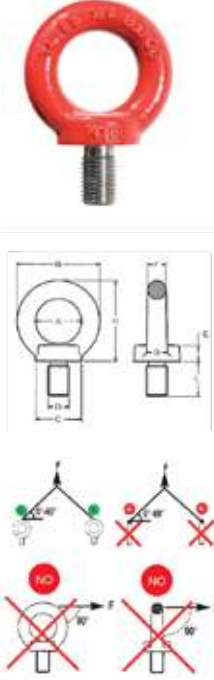
Art.No. Yaylı	Art.No. Yaysız	Ölçü	Direkt kapasite (t)	LC* (kN)	Ölçüler (mm)							Ağırlık (kg)
					A	B	D	F	G	H	H2	
2951 10 01	2951 10 00	M6	1.12	22	32	41	13	65	39	83	51	0.31
2951 20 01	2951 20 00	M8	2.00	40	34	41	13	66	40	83	51	0.33
2951 30 01	2951 30 00	M10	3.15	63	50	42	18	92	56	110	65	0.87
2951 50 01	2951 50 00	M13	5.3	100	60	56	22	111	67	133	77	1.57
2951 80 01	2951 80 00	M16	8.00	160	68	65.5	26	132	80	154	88	2.60
2951 15 01	2951 15 00	M22	15.00	300	90	81	34	165	97	194	120	5.90

* Bağlama / gerdirme kapasitesi

DIN EN1677-1 standardına uygundur.

Kapasite (t)					
0° Tek Bacak	0° İki Bacak	0-45° İki Bacak	45-60° İki Bacak	0-45° 3-4 Bacak	45-60° 3-4 Bacak
1.12	2.24	1.6	1.12	2.4	1.7
2.00	4	2.8	2.00	4.2	3.0
3.15	6.30	4.5	3.15	6.8	4.7
5.30	10.60	7.5	5.30	11.3	8.0
8.00	16	11.3	8.00	17.0	12.0
15.00	30	21.2	15.00	31.8	22.5

Yüksek Mukavemetli Erkek Mapa

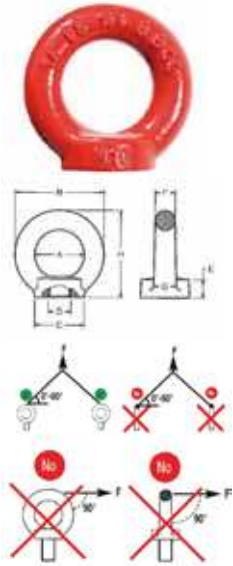


Art.No.	Ölçü	Direkt kapasite (t)	Ölçüler (mm)						Ağırlık (kg)
			A	B	C	E	F	H	
2957 00 06	M6x13	0,4	25	45	25	10	10	45	0.090
2957 00 08	M8x13	0,8	25	45	25	10	10	45	0.090
2957 00 10	M10x17	1	25	45	25	10	10	45	0.110
2957 00 12	M12x21	1,6	35	63	35	14	14	62	0.270
2957 00 14	M14x21	3	35	63	35	14	14	62	0.290
2957 00 16	M16x27	4	35	63	35	14	14	62	0.310
2957 00 18	M18x27	5	50	90	50	20	20	90	0.840
2957 00 20	M20x30	6	50	90	50	20	20	90	0.860
2957 00 22	M22x36	7	50	90	50	20	20	90	0.900
2957 00 24	M24x36	8	50	90	50	20	20	90	0.900
2957 00 27	M27x45	10	60	108	65	24	24	109	1.660
2957 00 30	M30x45	12	60	108	65	24	24	109	1.700
2957 00 33	M33x54	14	70	126	75	26	28	128	2.000
2957 00 36	M36x54	16	70	126	75	26	28	128	2.150
2957 00 42	M42x63	24	80	144	85	30	32	147	4.150
2957 00 48	M48x68	32	90	166	100	35	38	168	6.200
2957 00 56	M56x78	36	100	184	110	38	42	187	8.800
2957 00 64	M64x90	45	110	206	120	42	48	208	12.400

Emniyet kat sayısı : 4:1

Kapasite (t)							Nm
0° Tek Bacak	0° İki Bacak	0-45° İki Bacak	45-60° İki Bacak	0-45° 3-4 Bacak	45-60° 3-4 Bacak		
0.4	0.8	0.14	0.1	0.2	0.14	3,5	
0.8	1.6	0.25	0.2	0.4	0.28	8	
1	2	0.35	0.25	0.5	0.35	16	
1.6	3.2	0.56	0.4	0.8	0.56	28	
3	6	1	0.75	1.5	1	45	
4	8	1.4	1	2	1.4	70	
5	10	1.8	1.25	2.5	1.8	95	
6	12	2.1	1.5	3	2.1	135	
7	14	2.4	1.75	3.5	2.4	182	
8	16	2.8	2	4	2.8	230	
10	20	3.5	2.5	5	3.5	343	
12	24	4.2	3	6	4.2	465	
14	28	4.8	3.4	6.8	4.8	632	
16	32	5.6	3.9	7.8	5.4	814	
24	48	8.4	5.9	11.8	8.2	1304	
32	64	11.2	7.8	15.6	10.9	1981	
36	72	12.6	8.8	17.6	12.3	3000	
45	90	15.7	11	22	15.4	4736	

Yüksek Mukavemetli Dişi Mapa

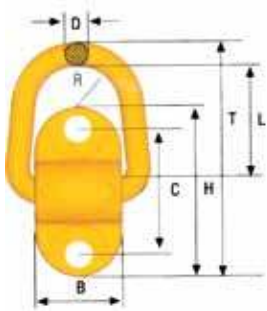


Art.No.	Ölçü	Direkt kapasite (t)	Ölçüler (mm)						Ağırlık (kg)
			A	B	C	E	F	H	
2990 72 06	M6	0.4	25	45	25	10	10	45	0.100
2990 72 08	M8	0.8	25	45	25	10	10	45	0.100
2990 72 10	M10	1	25	45	25	10	10	45	0.100
2990 72 12	M12	1.6	35	63	35	14	14	62	0.260
2990 72 14	M14	3	35	63	35	14	14	62	0.260
2990 72 16	M16	4	35	63	35	14	14	62	0.260
2990 72 18	M18	5	50	90	50	20	20	90	0.750
2990 72 20	M20	6	50	90	50	20	20	90	0.750
2990 72 24	M24	8	50	90	50	20	20	90	0.750
2990 72 27	M27	10	60	108	65	24	24	109	1.400
2990 72 30	M30	12	60	108	65	24	24	109	1.400

Emniyet kat sayısı : 4:1

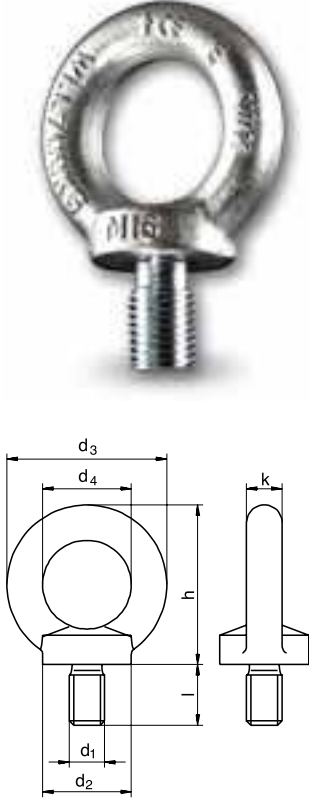
Kapasite (t)							Nm
0° Tek Bacak	0° İki Bacak	0-45° İki Bacak	45-60° İki Bacak	0-45° 3-4 Bacak	45-60° 3-4 Bacak		
0.4	0.8	0.14	0.1	0.2	0.14	3,5	
0.8	1.6	0.25	0.2	0.4	0.28	8	
1	2	0.35	0.25	0.5	0.35	16	
1.6	3.2	0.56	0.4	0.8	0.56	28	
3	6	1	0.75	1.5	1	45	
4	8	1.4	1	2	1.4	70	
5	10	1.8	1.25	2.5	1.8	95	
6	12	2.1	1.5	3	2.1	135	
8	16	2.8	2	4	2.8	230	
10	20	3.5	2.5	5	3.5	343	
12	24	4.2	3	6	4.2	465	

SLP Mapa



Art.No.	Model	Kapasite (t)	Ölçüler (mm)						Ağırlık (kg)		
			B	C	D	H	L	M		T	R
2903 37 01	SLP-1T	1	50	72	14	98	55	M14	139	24	0.8
2903 37 03	SLP-3T	3	58	84	17	114	50	M16	144	29	1.3
2903 37 05	SLP-5T	5	64	116	22	160	74	M20	203	33	2.6

Galvaniz Erkek Mapa - DIN580

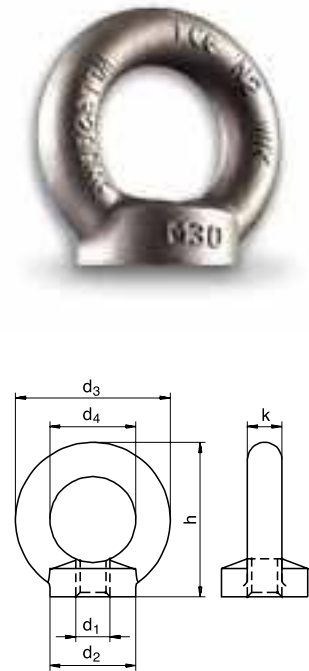


Art.No.	Ölçüler (mm)							WLL (t)	WLL (t)	Ağırlık (kg)
	d1	d2	d3	d4	h	k	l			
1392 61 06	M6	20	36	20	36,0	8	13,0	0,100	0,140	0,05
1392 61 08	M8	20	36	20	36,0	8	13,0	0,100	0,140	0,06
1392 61 10	M10	25	45	25	45,0	10	17,0	0,170	0,230	0,11
1392 61 12	M12	30	54	30	53,0	12	20,5	0,240	0,360	0,18
1392 61 14	M14	35	63	35	62,0	14	27,0	0,240	0,340	0,28
1392 61 16	M16	35	63	35	62,0	14	27,0	0,500	0,700	0,28
1392 61 18	M18	40	72	40	71,0	16	30,0	0,500	0,500	0,45
1392 61 20	M20	40	72	40	71,0	16	30,0	0,860	1,200	0,45
1392 61 22	M22	45	81	45	80,5	18	35,0	0,860	1,200	0,67
1392 61 24	M24	50	90	50	90,0	20	36,0	1,290	1,800	0,87
1392 61 27	M27	55	96	50	97,0	20	39,0	2,300	3,200	0,88
1392 61 30	M30	65	108	60	109,0	24	45,0	2,300	3,200	1,66
1392 61 33	M33	65	108	60	109,0	24	45,0	2,300	3,200	1,66
1392 61 36	M36	75	126	70	128,0	28	54,0	3,300	4,600	2,65
1392 61 39	M39	85	144	80	147,0	32	63,0	3,300	4,600	4,03
1392 61 42	M42	85	144	80	147,0	32	63,0	4,500	6,300	4,03
1392 61 45	M45	100	166	90	168,0	38	68,0	4,500	6,300	6,38
1392 61 48	M48	100	166	90	168,0	38	68,0	6,100	8,600	6,38
1392 61 52	M52	110	184	100	187,0	42	78,0	6,100	8,600	8,80
1392 61 56	M56	110	184	100	187,0	42	78,0	8,200	11,500	8,80
1392 61 64	M64	120	206	110	208,0	48	90,0	11,000	16,000	12,40
1392 61 72	M72	150	260	140	260,0	60	100,0	14,000	20,000	23,30
1392 61 80	M80	170	296	160	298,0	68	112,0	20,000	28,000	34,20
1392 61 00	M100	190	330	180	330,0	75	100,0	29,000	40,000	36,40

Malzeme : C15

Opsiyonel EN10204,3.1B sertifikası sunulabilir.

Galvaniz Dişi Mapa - DIN582



Art.No.	Ölçüler (mm)							WLL (t)	WLL (t)	Ağırlık (kg)
	d1	d2	d3	d4	h	k	l			
1392 71 06	M6	20	36	20	36,0	8	13,0	0,100	0,140	0,048
1392 71 08	M8	20	36	20	36,0	8	13,0	0,100	0,140	0,05
1392 71 10	M10	25	45	25	45,0	10	17,0	0,170	0,230	0,09
1392 71 12	M12	30	54	30	53,0	12	20,5	0,240	0,340	0,16
1392 71 14	M14	35	63	35	62,0	14	27,0	0,240	0,340	0,24
1392 71 16	M16	35	63	35	62,0	14	27,0	0,500	0,700	0,24
1392 71 18	M18	40	72	40	71,0	16	30,0	0,500	0,700	0,36
1392 71 20	M20	40	72	40	71,0	16	30,0	0,860	1,200	0,36
1392 71 22	M22	45	81	45	80,5	18	35,0	0,860	1,200	0,58
1392 71 24	M24	50	90	50	90,0	20	36,0	1,290	1,800	0,72
1392 71 27	M27	55	96	50	97,0	20	39,0	2,300	3,200	0,70
1392 71 30	M30	65	108	60	109,0	24	45,0	2,300	3,200	1,32
1392 71 33	M33	65	108	60	109,0	24	45,0	2,300	3,200	1,30
1392 71 36	M36	75	126	70	128,0	28	54,0	3,300	4,600	2,08
1392 71 39	M39	85	144	80	147,0	32	63,0	3,300	4,600	2,02
1392 71 42	M42	85	144	80	147,0	32	63,0	4,500	6,300	3,11
1392 71 45	M45	100	166	90	168,0	38	68,0	4,500	6,300	3,04
1392 71 48	M48	100	166	90	168,0	38	68,0	6,100	8,600	5,02
1392 71 52	M52	110	184	100	187,0	42	78,0	6,100	8,600	4,95
1392 71 56	M56	110	184	100	187,0	42	78,0	8,200	11,500	6,69
1392 71 64	M64	120	206	110	208,0	48	90,0	11,000	16,000	9,30
1392 71 72	M72	150	260	140	260,0	60	100,0	14,000	20,000	18,50
1392 71 80	M80	170	296	160	298,0	68	112,0	20,000	28,000	27,30
1392 71 00	M100	190	330	180	330,0	75	100,0	29,000	40,000	36,40

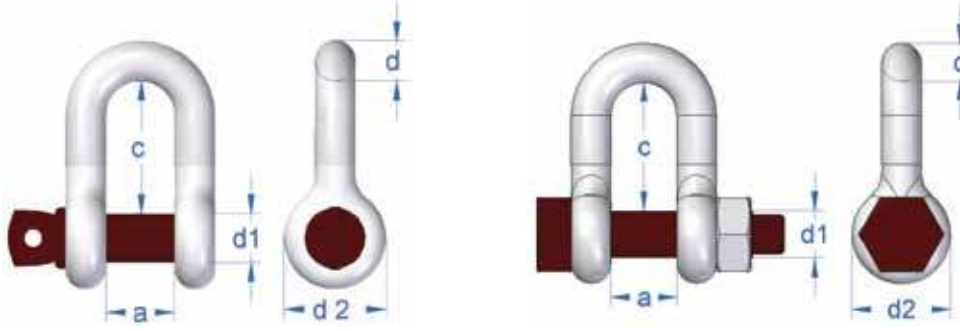
Malzeme : C15

Opsiyonel EN10204,3.1B sertifikası sunulabilir.

Yüksek Mukavemetli U Mapa Pimli / Emniyet Somunlu

- Standard** : DNV 2.7-1 Tip onayı, EN 13889 and U.S Fed. Spec. RR-C-271
Malzeme : Yüksek mukavemetli çelik, söndürülmüş ve tavlanmış, Grade 6
Uygulama : Tüm parçalar sıcak daldırma, galvanizleme sonrası vida/ pim üzeri kahverengi boyalı

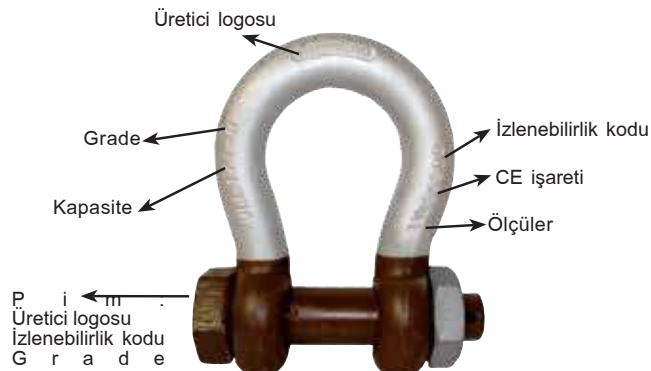
- Emniyet Faktörü**: 6:1
Dökümantasyon: Test sertifikası , EN 10204 - 3.1 e göre izlenebilir ham madde ve muayene sertifikası. 2 - 55 ton ürünler için DNV 2.7-1 tip onay sertifikası.
Sıcaklık : -20° C - 200° C



Pimli Art. no.	Emniyet somunlu Art. no.	Vida çapı d1 (mm)	d Nominal çap		İç genişlik a* (mm)	İç uzunluk c* (mm)	Dış göz d2 (mm)	WLL (ton) 6:1	Omega pim ağırlık (kg)	Emn. somunlu ağırlık (kg)
			(mm)	(inch)						
1320 80 03	-	6	5	3/16"	10	22	13	0.33	0.02	-
1320 80 06	-	8	7	1/4"	12	25	12	0.5	0.06	-
1320 80 07	-	10	9	5/16"	13.5	27	16	0.75	0.11	-
1320 80 10	-	11	10	3/8"	17	31	20	1	0.15	-
1320 80 15	-	13	11	7/16"	18.5	37	22	1.5	0.21	-
1320 80 20	1321 00 20	16	13	1/2"	21	41	33	2	0.25	0.30
1320 80 32	1321 00 32	19	16	5/8"	27	51	40	3.25	0.55	0.60
1320 80 47	1321 00 47	22	19	3/4"	31	60	47	4.75	1.00	1.10
1320 80 65	1321 00 65	25	22	7/8"	37	71	50	6.5	1.30	1.50
1320 80 85	1321 00 85	28	25	1"	43	81	58	8.5	1.90	2.20
1320 80 95	1321 00 95	32	28	1 1/8"	46	90	64	9.5	2.80	3.10
1320 81 20	1321 01 20	35	32	1 1/4"	52	100	72	12	3.60	4.20
1320 81 35	1321 0135	38	35	1 3/8"	57	111	74	13.5	4.60	5.60
1320 81 70	1321 01 70	42	38	1 1/2"	60	122	84	17	6.50	7.50
1320 82 50	1321 02 50	50	45	1 3/4"	74	149	105	25	11.50	13.00
1320 83 50	1321 03 50	57	50	2"	83	171	112	35	16.00	18.00
1320 85 50	1321 05 00	70	65	2 1/2"	105	203	145	55	-	39.00

* Döküm toleransı : +/- %5 İç kısımda genişlemesine ve uzunlamasına

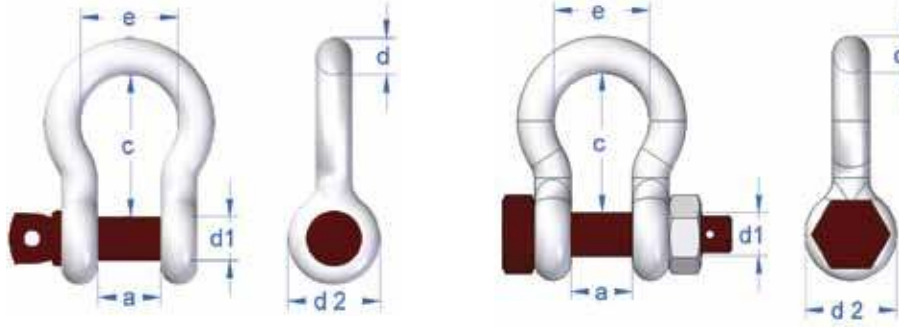
Yüksek Mukavemetli Mapa üzerindeki işaretlemeler



Yüksek Mukavemetli Omega Mapa Pimli / Emniyet Somunlu

- Standard** : DNV 2.7-1 Tip onayı, EN 13889 and U.S Fed. Spec. RR-C-271
Malzeme : Yüksek mukavemetli çelik, söndürülmüş ve tavllanmış, Grade 6
Uygulama : Tüm parçalar sıcak daldırma, galvanizleme sonrası vida/ pim üzeri kahverengi boyalı

- Emniyet Faktörü:** 6:1
Dökümantasyon: Test sertifikası , EN 10204 - 3.1 e göre izlenebilir ham madde ve muayene sertifikası. 2 - 55 ton ürünler için DNV 2.7-1 tip onay sertifikası.
Sıcaklık : -20° C - 200° C



Pimli Art. no.	Emniyet somunlu Art. no.	Vida çapı d1 (mm)	d Nominal çap		İç genişlik a* (mm)	İç uzunluk c* (mm)	Mapa iç genişlik e (mm)	Dış göz d2 (mm)	WLL (ton) 6:1	Omega pim ağırlık (kg)	Emn. somunlu ağırlık (kg)
			(mm)	(inch)							
1320 70 03	-	6	5	3/16"	10	22	16	13	0,33	0.02	-
1320 70 05	1320 90 05	8	6	1/4"	12	29	20	16	0.5	0.06	0.07
1320 70 07	1320 90 07	10	8	5/16"	13	32	21	20	0.75	0.11	0.13
1320 70 10	1320 90 10	11	9	3/8"	16	36	26	22	1	0.15	0.17
1320 70 15	1320 90 15	13	11	7/16"	18	43	29	26	1.5	0.21	0.25
1320 70 20	1320 90 20	16	13	1/2"	21	47	33	33	2	0.37	0.42
1320 70 32	1320 90 32	19	16	5/8"	27	60	42	40	3.25	0.65	0.70
1320 70 47	1320 90 47	22	19	3/4"	31	71	51	47	4.75	1.10	1.20
1320 70 65	1320 90 65	25	22	7/8"	37	84	58	50	6.5	1.50	1.70
1320 70 85	1320 90 85	28	25	1"	43	95	68	58	8.5	2.20	2.50
1320 70 95	1320 90 95	32	28	1 1/8"	46	108	74	64	9.5	3.10	3.40
1320 71 20	1320 91 20	35	32	1 1/4"	52	119	83	72	12	4.20	4.80
1320 71 35	1320 91 35	38	35	1 3/8"	57	132	89	74	13.5	6.00	7.00
1320 71 70	1320 91 70	42	38	1 1/2"	60	146	98	84	17	8.00	9.00
1320 72 50	1320 92 50	50	45	1 3/4"	74	178	127	105	25	13.50	15.00
1320 73 50	1320 93 50	57	50	2"	83	197	138	112	35	19.00	21.00
1320 74 25	1320 94 25	65	57	2 1/4"	95	222	160	132	42.5	-	28.50
1320 75 00	1320 95 00	70	65	2 1/2"	105	255	185	145	55	38.00	39.00
	1320 98 50	83	75	3"	127	330	190	165	85	-	62.00
	**1320 90 12	95	95	3 3/4"	146	400	235	208	120 (5:1)	-	110.00

Ürün ile ilgili belgeler

- Talep üzerine aşağıda belirtilen sertifikalar temin edilir ;
- EN 10204 - 2.1' e göre sertifika
 - EN 10204 - 3.1' e göre temel hammadde sertifikası
 - Emniyet yükü sertifikası
 - EN 10204 - 3.1' e göre işlenebilir hammadde/ test sertifikası

Talep üzerine resmi kuruluşlarca onaylanmış belgeler temin edilebilir.

Sıcaklık

Sıcaklığın aşırı yüksek olduğu durumlarda aşağıdaki kapasite kayıpları hesaba katılmalıdır.

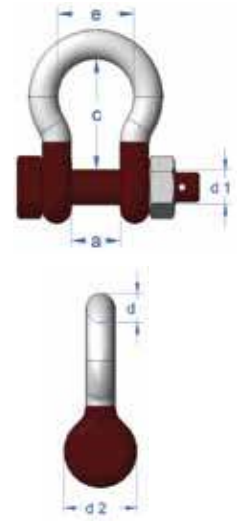
0 - 200°C	%100 kapasite kullanımı
200 - 300°C	% 90 kapasite kullanımı
300 - 400°C	% 75 kapasite kullanımı
> 400°C	kullanımı uygun değildir.

Yüksek Mukavemetli Emniyet Somunlu "ARCTIC" Omega Mapa

- Standard** : DNV 2.7-1 Tip onayı, EN 13889 and U.S Fed. Spec. RR-C-271
Malzeme : Yüksek mukavemetli çelik, söndürülmüş ve tavllanmış, Grade 8
Uygulama : Tüm parçalar sıcak daldırma, kahverengi boyalı
Emniyet Faktörü : Aşağıdaki tabloda verilmiştir.
Dökümantasyon : Test sertifikası , EN 10204 - 3.1 e göre izlenebilir ham madde ve muayene sertifikası.
 Tüm ürünler için DNV 2.7-1 tip onay sertifikası.
Sıcaklık : -40° C - 200° C



Art. No.	d1 (mm)	d Nominal çap		Ölçüler (mm)				WLL (ton)	Ağırlık (kg)	Emniyet faktörü
		(mm)	(inch)	a	c	d2	e			
1321 90 02	16	13	1/2"	21	47	33	33	2	0.42	8.00
1321 90 32	19	16	5/8"	27	60	40	42	3.25	0.7	8.00
1321 90 47	22	19	3/4"	31	71	47	51	4.75	1.2	8.00
1321 90 65	25	22	7/8"	37	84	52	58	6.5	1.7	7.85
1321 90 85	28	25	1"	43	95	58	68	8.5	2.5	7.25
1321 90 95	32	28	1 1/8"	46	108	64	74	9.5	3.4	6.94
1321 91 20	35	32	1 1/4"	52	119	72	83	12	4.8	6.40
1321 91 35	38	35	1 3/8"	57	132	74	89	13.5	7	6.10
1321 91 70	42	38	1 1/2"	60	146	84	98	17	9	6.00
1321 92 50	50	45	1 3/4"	74	178	105	127	25	15	6.00
1321 93 50	57	50	2"	83	197	119	138	35	21	6.00
1321 95 50	70	65	2 1/2"	105	255	145	185	55	39	6.00
1321 98 50	83	75	3"	127	330	165	190	85	62	6.00

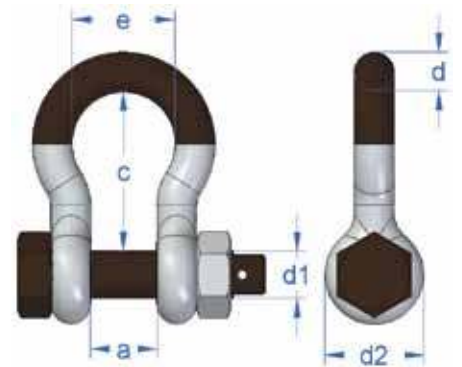


Yüksek Mukavemetli Emniyet Somunlu "SUPER" Omega Mapa

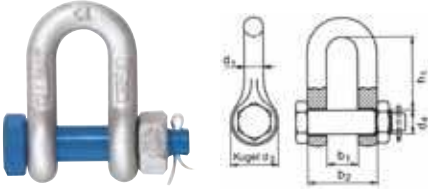
- Standard** : U.S Fed. Spec. RR-C-271 tip IVA sınıf 3 Grade 8
Malzeme : Yüksek mukavemetli çelik, söndürülmüş ve tavllanmış, Grade 8
Uygulama : Tüm parçalar sıcak daldırma, kahverengi boyalı
Emniyet Faktörü : 5:1
Dökümantasyon : Test sertifikası , EN 10204 - 3.1 e göre izlenebilir ham madde ve muayene sertifikası.



Art. No.	d1 (mm)	d Nominal çap		Ölçüler (mm)				WLL (t)	Ağırlık (kg)
		(mm)	(inch)	a	c	d2	e		
1322 90 03	16	13	1/2"	21	51	33	33	3.3	0.4
1322 90 05	19	16	5/8"	27	60	40	42	5	0.7
1322 90 07	22	19	3/4"	31	71	47	51	7	1.2
1322 90 09	25	22	7/8"	37	84	52	58	9.5	1.7
1322 90 12	28	25	1"	43	95	58	68	12.5	2.5
1322 90 15	32	28	1 1/8"	46	108	64	74	15	3.4
1322 90 18	35	32	1 1/4"	52	119	72	83	18	4.8
1322 90 21	38	35	1 3/8"	57	132	74	89	21	7
1322 90 30	42	38	1 1/2"	60	146	89	99	30	8.8
1322 90 40	50	45	1 3/4"	74	178	105	126	40	15
1322 90 55	57	57	2"	83	197	117	138	55	22
1322 90 85	70	70	2 1/2"	105	260	143	180	85	38
1322 91 20	83	83	3"	127	329	162	190	120	70
1322 91 50	95	95	3 3/4"	144	400	208	238	150	112

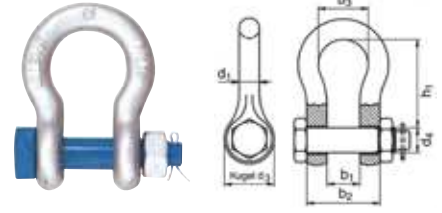


Emniyet Somunlu U Mapalar



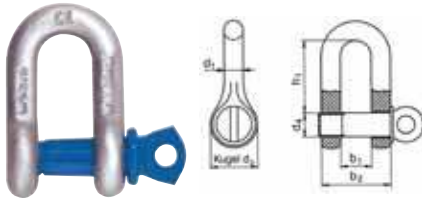
Art. No.	Ölçü (ns)	WLL (t)	Ölçüler (mm)						Ağırlık (kg)
			b1	b2	d1	d4	h1	d3	
2554 10 05	1/4"	0.500	12	26	6	8	22	17	0.06
2554 10 07	5/16"	0.750	13	29	8	10	26	21	0.10
2554 10 10	3/8"	1.000	16	36	10	12	31	26	0.15
2554 10 15	7/16"	1.500	18	40	11	14	36	28	0.22
2554 10 20	1/2"	2.000	21	47	13	16	41	30	0.34
2554 10 32	5/8"	3.250	27	59	16	19	51	42	0.70
2554 10 47	3/4"	4.750	32	70	19	22	60	48	1.18
2554 10 65	7/8"	6.500	36	80	22	25	71	57	1.64
2554 10 85	1"	8.500	43	93	25	28	81	62	2.41
2554 10 95	1 1/8"	9.500	46	104	29	32	90	69	3.27
2554 11 20	1 1/4"	12.000	52	116	32	35	100	78	4.59
2554 11 35	1 3/8"	13.500	57	127	35	38	113	86	6.00
2554 11 70	1 1/2"	17.000	60	136	38	42	124	94	8.33
2554 12 50	1 3/4"	25.000	73	161	44	50	146	112	12.83
2554 13 50	2"	35.000	83	185	51	55	171	127	19.30
2554 15 00	2 1/2"	55.000	105	232	64	70	203	152	34.50
2554 18 51	3"	85.000	127	279	76	82	216	200	60.00
2554 11 21	3 1/2"	120.000	133	317	89	95	253	203	93.00
2554 11 51	4"	150.000	140	348	102	107	250	226	145.00

Emniyet Somunlu Omega Mapalar



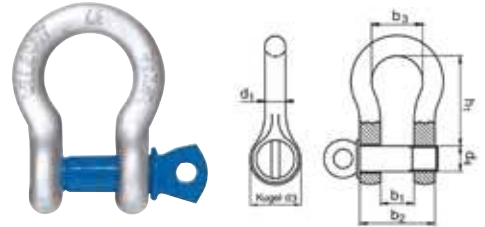
Art. No.	Ölçü (ns)	WLL (t)	Ölçüler (mm)								Ağırlık (kg)
			b1	b2	b3	d1	d3	d4	h1		
2554 30 05	1/4"	0.500	12	25	19	6	17	8	28	0.07	
2554 30 07	5/16"	0.750	13	29	21	8	21	10	31	0.10	
2554 30 10	3/8"	1.000	16	36	26	10	26	12	36	0.18	
2554 30 15	7/16"	1.500	18	40	29	11	28	14	42	0.25	
2554 30 20	1/2"	2.000	21	47	33	13	30	16	48	0.37	
2554 30 32	5/8"	3.250	27	59	43	16	42	20	60	0.71	
2554 30 47	3/4"	4.750	32	70	51	19	48	22	71	1.27	
2554 30 65	7/8"	6.500	36	80	58	22	57	27	84	1.78	
2554 30 85	1"	8.500	43	93	68	25	62	28	95	2.52	
2554 30 95	1 1/8"	9.500	46	104	74	29	69	33	103	3.53	
2554 31 20	1 1/4"	12.000	52	116	82	32	78	36	119	5.04	
2554 31 35	1 3/8"	13.500	57	127	92	35	86	39	133	6.84	
2554 31 70	1 1/2"	17.000	60	136	98	38	94	42	146	8.78	
2554 32 50	1 3/4"	25.000	73	161	127	44	112	52	178	14.09	
2554 33 50	2"	35.000	83	185	146	51	135	60	197	20.90	
2554 35 00	2 1/2"	55.000	105	232	184	64	152	70	267	39.90	
2554 38 50	3"	85.000	127	279	200	76	200	82	330	62.00	
2554 31 21	3 1/2"	120.000	137	321	232	92	220	95	374	109.00	
2554 31 51	4"	150.000	145	353	250	104	240	108	372	130.00	

Pimli U Mapalar



Art. No.	Ölçü (ns)	WLL (t)	Ölçüler (mm)						Ağırlık (kg)
			b1	b2	d1	d4	h1	d3	
2554 00 05	1/4"	0.500	12	26	6	8	22	17	0.05
2554 00 07	5/16"	0.750	13	29	8	10	26	21	0.08
2554 00 10	3/8"	1.000	16	36	10	12	31	26	0.13
2554 00 15	7/16"	1.500	18	40	11	14	36	28	0.19
2554 00 20	1/2"	2.000	21	47	13	16	41	30	0.31
2554 00 32	5/8"	3.250	27	59	16	20	51	42	0.55
2554 00 47	3/4"	4.750	32	70	19	22	60	48	0.96
2554 00 65	7/8"	6.500	36	80	22	27	71	57	1.41
2554 00 85	1"	8.500	43	93	25	30	81	62	2.03
2554 00 95	1 1/8"	9.500	46	104	29	33	90	69	2.97
2554 01 20	1 1/4"	12.000	52	116	32	36	100	78	4.01
2554 01 35	1 3/8"	13.500	57	127	35	39	113	86	5.40
2554 01 70	1 1/2"	17.000	60	136	38	42	124	94	7.29
2554 02 50	1 3/4"	25.000	73	161	44	52	146	112	11.25
2554 03 50	2"	35.000	83	185	51	60	171	135	16.20
2554 05 50	2 1/2"	55.000	106	232	63	72	203	158	33.30

Pimli Omega Mapalar



Art. No.	Ölçü (ns)	WLL (t)	Ölçüler (mm)								Ağırlık (kg)
			b1	b2	b3	d1	d3	d4	h1		
2554 20 05	1/4"	0.500	12	25	19	6	17	8	28	0.05	
2554 20 07	5/16"	0.750	13	29	21	8	21	10	31	0.08	
2554 20 10	3/8"	1.000	16	36	26	10	26	12	36	0.14	
2554 20 15	7/16"	1.500	18	40	29	11	28	14	42	0.22	
2554 20 20	1/2"	2.000	21	47	33	13	30	16	48	0.33	
2554 20 32	5/8"	3.250	27	59	43	16	42	20	60	0.65	
2554 20 47	3/4"	4.750	32	70	51	19	48	22	71	0.97	
2554 20 65	7/8"	6.500	36	80	58	22	57	27	84	1.46	
2554 20 85	1"	8.500	43	93	68	25	62	28	95	2.39	
2554 20 95	1 1/8"	9.500	46	104	74	29	69	33	103	3.15	
2554 21 25	1 1/4"	12.000	52	116	82	32	78	36	119	4.32	
2554 21 35	1 3/8"	13.500	57	127	92	35	86	39	133	5.67	
2554 21 70	1 1/2"	17.000	60	136	98	38	94	42	146	7.79	
2554 22 50	1 3/4"	25.000	73	161	127	44	112	52	178	12.51	
2554 23 50	2"	35.000	83	185	146	51	135	60	197	18.50	
2554 25 50	2 1/2"	55.000	106	232	184	63	158	72	267	37.58	

Standart : U.S. Fed. Spec. RR-C-271 - EN 10204 - 3.1B
Malzeme : Yüksek mukavemetli çelik, söndürülmüş ve tavlannmış, Grade 6

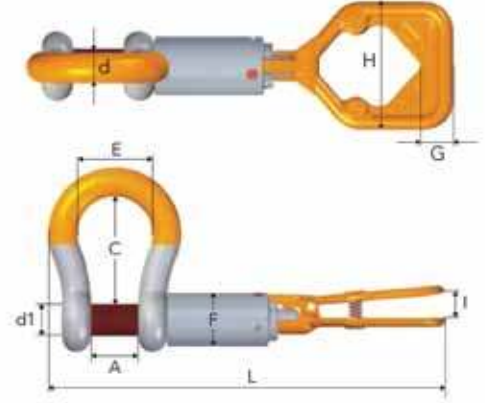
Finish : Tüm parçalar sıcak daldırma, galvanizleme sonrası vida/pim üzeri mavi boyalı
Emniyet Faktörü : 6.0
Dökümantasyon : Test sertifikası

ROV Mapa - Kavrama ve Tahliyeli

- Standard** : EN 13889 a göre ölçüler
Malzeme : Yüksek mukavemetli çelik, söndürülmüş ve tavllanmış
Uygulama : Tüm yük uygulama parçaları sıcak daldırma, galvaniz
Emniyet Faktörü : 6:1
Dökümantasyon : Talep üzerine test sertifikası ve izlenebilir 3.1 setifikası temin edilebilir.
Sıcaklık : -40° C - 200° C , 42 joule

Art. No.	Ölçüler (mm)										WLL (t)	Ağırlık (kg)
	d1	d	A	C	E	F	L	I	H	G		
1321 30 12	35	32	52	119	83	60	460	31	132	33	12	8.0
1321 30 17	42	38	60	146	98	63.5	501	31	132	33	17	10.5
1321 30 25	50	45	74	178	127	70	565	31	132	33	25	16.5
1321 30 35	57	50	83	197	138	76	604	31	132	33	35	20.5
1321 30 55	70	65	105	255	185	88	712	31	132	33	55	42.0

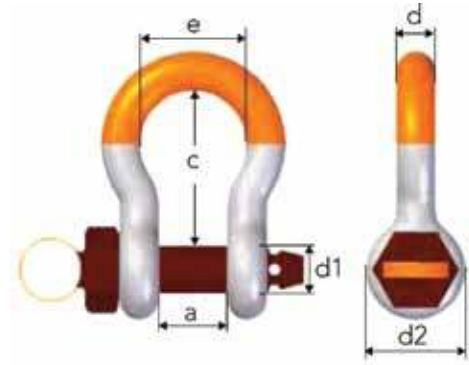
Denizaltı uygulamaları için tasarlanmıştır.



ROV Mapa - Pimli ve Tek Kopilyalı

- Standard** : EN 13889 a göre ölçüler
Malzeme : Yüksek mukavemetli çelik, söndürülmüş ve tavllanmış
Uygulama : Tüm yük uygulama parçaları sıcak daldırma, galvaniz
Emniyet Faktörü : 6:1
Dökümantasyon : Talep üzerine test sertifikası ve izlenebilir 3.1 setifikası temin edilebilir.
Sıcaklık : -40° C - 200° C , 42 joule

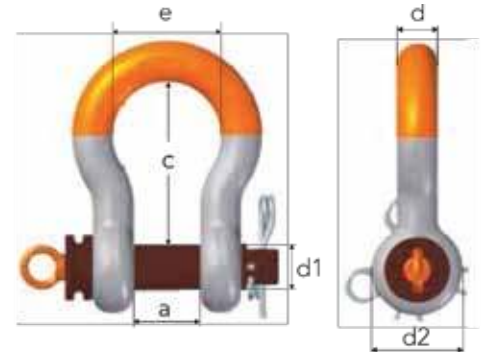
Art. No.	Ölçüler (mm)						WLL (t)	Ağırlık (kg)
	d1	d	a	c	d2	e		
1321 40 08	28	25	43	95	60	68	8.5	2.7
1321 40 09	32	28	46	108	64	74	9.5	3.4
1321 40 12	35	32	52	119	72	83	12	5.0
1321 40 17	42	38	60	146	84	98	17	7.8
1321 40 25	50	45	74	178	105	127	25	13.9
1321 40 35	57	50	83	197	127	138	35	17.0
1321 40 55	70	65	105	255	152	185	55	37.0



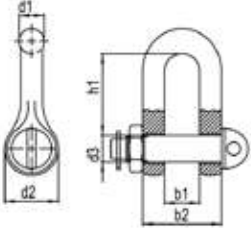
ROV Tahliyeli Mapa - Pimli ve Çift Kopilyalı

- Standard** : EN 13889 a göre ölçüler
Malzeme : Yüksek mukavemetli çelik, söndürülmüş ve tavllanmış
Uygulama : Tüm yük uygulama parçaları sıcak daldırma, galvaniz
Emniyet Faktörü : 6:1
Dökümantasyon : Talep üzerine test sertifikası ve izlenebilir 3.1 setifikası temin edilebilir.
Sıcaklık : -40° C - 200° C , 42 joule

Art. No.	Ölçüler (mm)						WLL (t)	Ağırlık (kg)
	d1	d	a	c	d2	e		
1321 50 06	25	22	37	84	52	58	6.5	1.6
1321 50 09	32	28	46	108	64	74	9.5	3.4
1321 50 12	35	32	52	119	72	83	12	5.0
1321 50 17	42	38	60	146	84	98	17	7.8
1321 50 25	50	45	74	178	105	127	25	13.9
1321 50 35	57	50	83	197	127	138	35	17.0
1321 50 55	70	65	105	255	152	185	55	37.0

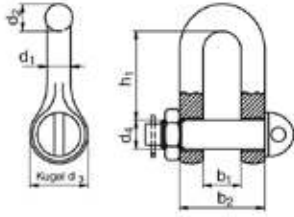


Galvaniz Pimli Mapa DIN 82101

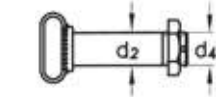
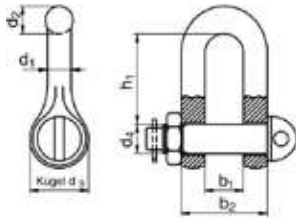
Form A (Vidalı)


Emniyet kat sayısı : 5:1

Art. No.	Kapasite (t)	Ölçüler (mm)							Ağırlık (adet/kg)
		d1	d3	d2	d4	b1	b2	h1	
1320 20 01	0.10	4	5	10	M5	7	15	15.5	0.013
1320 20 02	0.16	5	6	12	M6	8	18	18.0	0.024
1320 20 03	0.25	7	8	16	M8	11	25	24.0	0.045
1320 20 04	0.40	8	10	20	M10	14	30	30.0	0.090
1320 20 06	0.60	10	12	24	M12	17	37	36.0	0.170
1320 20 10	1.00	13	16	32	M16	21	47	49.0	0.360
1320 20 16	1.60	17	20	40	M20	27	61	61.0	0.750
1320 20 20	2.00	19	22	44	M22	30	68	67.0	1.000
1320 20 25	2.50	21	24	48	M24	33	75	73.0	1.320
1320 20 30	3.00	24	27	54	M27	38	86	83.5	1.800
1320 20 40	4.00	27	30	60	M30	42	96	91.0	2.400
1320 20 50	5.00	30	36	72	M36	47	107	111.0	3.900
1320 20 60	6.00	34	39	78	M39	53	121	119.5	5.300
1320 20 80	8.00	38	45	90	M45	60	136	139.5	7.900
1320 21 00	10.00	42	48	96	M48	66	150	147.0	10.00
1320 21 20	12.00	47	52	104	M52	73	167	158.0	13.00
1320 21 60	16.00	52	60	120	M60	81	185	185.0	18.50
1320 22 00	20.00	58	68	136	M68	90	206	211.0	27.50
1320 22 20	25.00	63	72	144	M72	100	226	221.0	35.50

Galvaniz Düz Pimli Mapa DIN 82101


Art. No.	Kapasite (t)	Ölçüler (mm)							Ağırlık (adet/kg)
		d1	d3	d2	d4	b1	b2	h1	
1320 40 04	0.40	8	10	20	M10	30	14	30.0	0.085
1320 40 06	0.60	10	12	24	M12	36	17	37.0	0.160
1320 40 10	1.00	13	16	32	M16	49	21	47.0	0.350
1320 40 16	1.60	17	20	40	M20	61	27	61.0	0.730
1320 40 20	2.00	19	22	44	M22	67	30	68.0	0.970
1320 40 25	2.50	21	24	48	M24	73	33	75.0	1.280
1320 40 30	3.00	24	27	54	M27	83.5	38	86.0	1.700

Galvaniz Emniyet Somunlu Mapa DIN 82101

Form C (Güvenlik pimli)


Art. No.	Kapasite (t)	Ölçüler (mm)							Ağırlık (adet/kg)
		d1	d3	d2	d4	b2	b1	h1	
1320 60 04	0.40	8	10	20	M10	30	14	30.0	0.100
1320 60 06	0.60	10	12	24	M12	37	17	36.0	0.180
1320 60 10	1.00	13	16	32	M16	47	21	49.0	0.400
1320 60 16	1.60	17	20	40	M20	61	27	61.0	0.810
1320 60 20	2.00	19	22	44	M22	68	30	67.0	1.080
1320 60 25	2.50	21	24	48	M24	75	33	73.0	1.420
1320 60 30	3.00	24	27	54	M27	86	38	83.5	2.030
1320 60 40	4.00	27	30	60	M30	96	42	91.0	2.700
1320 60 50	5.00	30	36	72	M36	107	47	111.0	4.400
1320 60 60	6.00	34	39	78	M39	121	53	119.5	5.900
1320 60 80	8.00	38	45	90	M45	136	60	139.5	8.500
1320 61 00	10.00	42	48	96	M48	150	66	147.0	10.80
1320 61 20	12.00	47	52	104	M52	167	73	158.0	14.00
1320 61 60	16.00	52	60	120	M60	185	81	185.0	19.30
1320 62 00	20.00	58	68	136	M68	206	90	211.0	28.20

Uzun Gövdeli Mapa


Art. No.	Kapasite (t)	Ölçüler (mm)				Ağırlık (adet/kg)
		d1	d2	H	W	
1321 10 25	2.50	25	30	250	50	4.8
1321 10 30	3.00	30	30	250	50	5.0
1321 10 50	5.00	36	30	250	50	5.9
1321 11 00	10.00	50	45	400	110	21.0